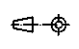
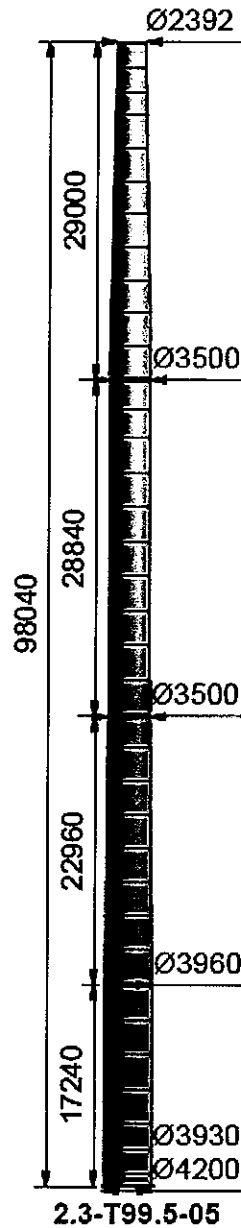


**NORDANSTIGS KOMMUN**  
 Byggnadsnämnden  
 Inkom **2014-01-16**  
 Dnr: .....  
 Postid: .....

SWT-2.3-101			
Total height	124.000m	130.500m	150.000m
Hub height	73.500m	80.000m	99.500m
Rotor diameter	101.000m	101.000m	101.000m

Weight app.: N/A	Proprietary Class: Restricted	EC	
Part: Elevation SWT-2,3-101		Draw. format: A2	Sheet no.: 1 / 1
<small>The document must not be copied or made available to any third party without our written permission. The contents must be used only in agreement with us. Breach of the above will cause legal action. Siemens Wind Power A/S</small>		ISO:  Draw. scale: 1:500	ECN no.: 70009 Revision: 002 Draw. no.: 1005651
Siemens Wind Power A/S Borupvej 16 DK-7330 Brande Tel. +45 9942 2222		SIEMENS	

## SWT-2.3, 99.5 m Hub Height, Ver. 12, IEC IIB Tower Dimensions

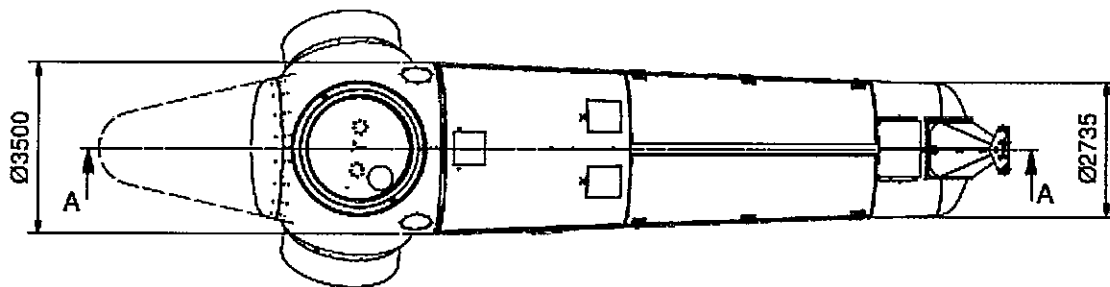
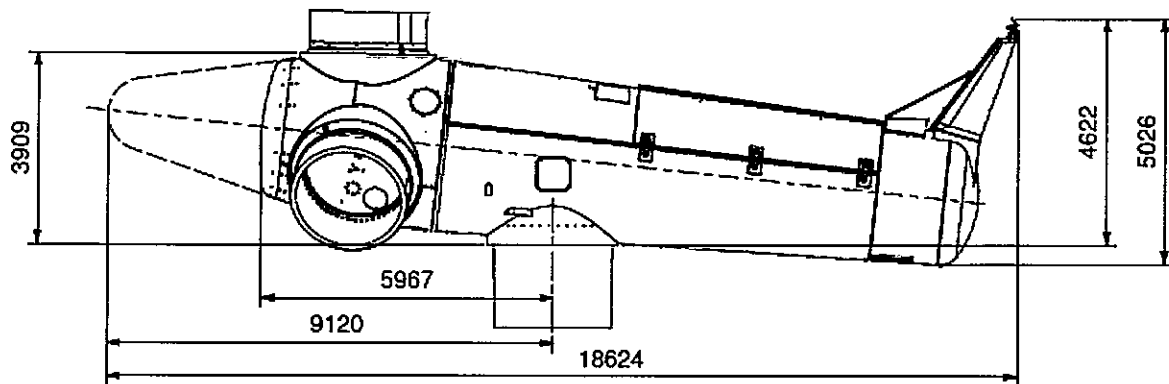


All dimensions are in mm.

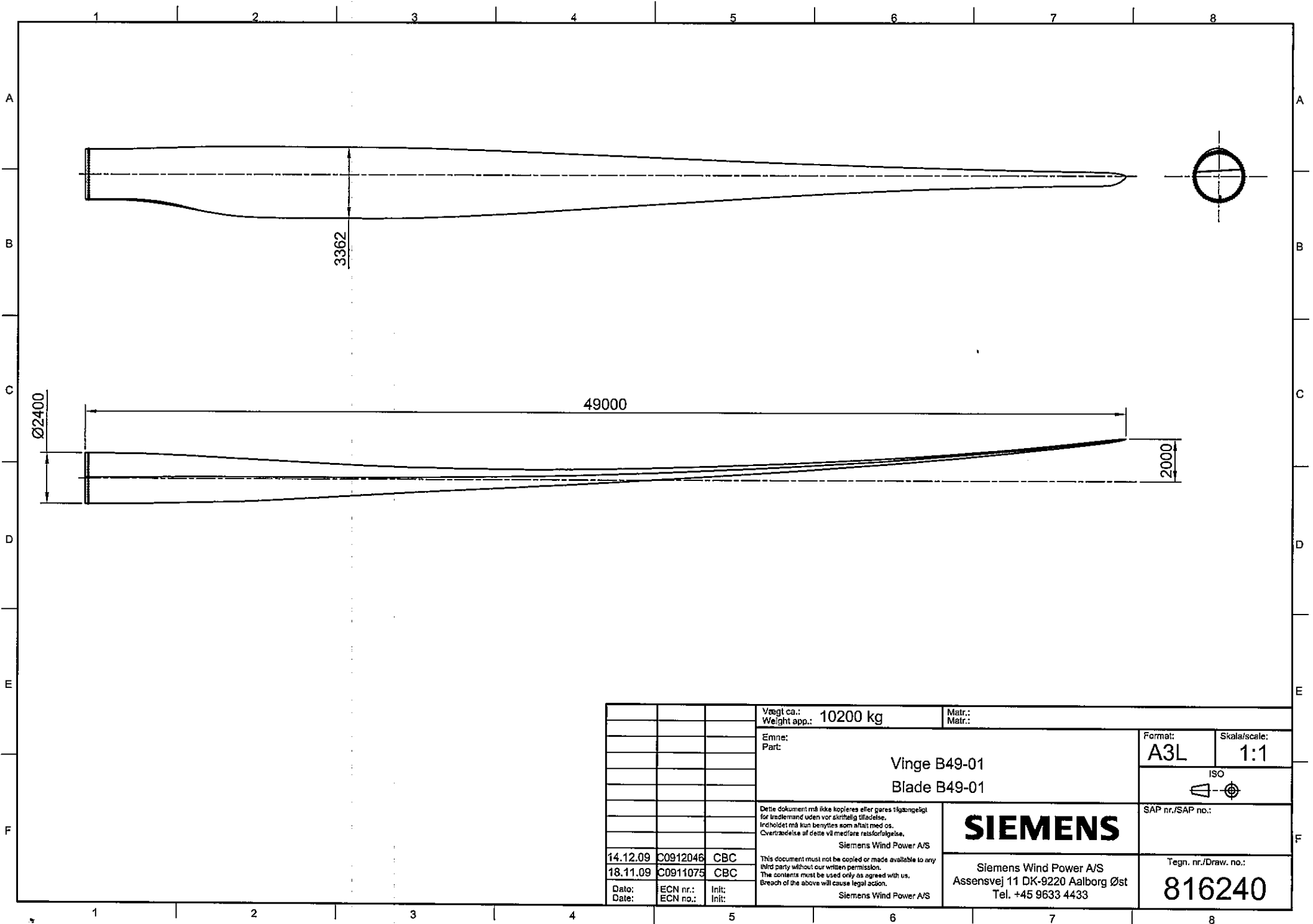
The information in the present document is related to a specific tower, but shall be used for preliminary use only. No statement made or information given in this statement shall be deemed to constitute a warranty or guaranty of wind turbines or related services or any part thereof. Siemens Wind Power reserves the right to make changes in the design without prior notice.

## Nacelle Dimensions Siemens G2

Siemens G2 includes SWT-2.3-82 VS, SWT-2.3-93, SWT-2.3-101, and SWT-2.3-108.



Siemens Wind Power reserves the right to change the above specifications without prior notice.



			Vægt ca.: Weight app.: 10200 kg	Matr.: Matr.:
			Emne: Part:	Format: A3L
			Vinge B49-01 Blade B49-01	Skala/scale: 1:1
				ISO 
			<p>Dette dokument må ikke kopieres eller gøres tilgængeligt for tredjemand uden vor skriftlig tilladelse. Indholdet må kun benyttes som aftalt med os. Overtrædelse af dette vil medføre retsforfølgelse.</p> <p>Siemens Wind Power A/S</p>	SAP nr./SAP no.:
14.12.09	C0912046	CBC	<p>This document must not be copied or made available to any third party without our written permission. The contents must be used only as agreed with us. Breach of the above will cause legal action.</p> <p>Siemens Wind Power A/S</p>	Tegn. nr./Draw. no.:
18.11.09	C0911075	CBC		816240
Dato: Date:	ECN nr.: ECN no.:	Init: Init:	Siemens Wind Power A/S Assensvej 11 DK-9220 Aalborg Øst Tel. +45 9633 4433	